

Data Sheet

Shut-off valves
Type **STC**

Designed referring European standards to meet the challenges in industrial refrigeration application requirements in Asia



STC are angleway and straightway shut-off valves which are designed to meet industrial refrigeration application requirements.

The valves are designed to give favourable flow characteristics and are easy to dismantle and repair when necessary.

Features

- Applicable to all common refrigerants including R717 and non corrosive gases/liquids dependent on sealing material compatibility
- Available with:
 - Heavy duty industrial handwheel for frequent operation
 - Vented cap for infrequent operation
- Available in angle and straight versions with standard bonnet for installation in normal insulated systems
- The valves and caps are prepared for sealing, to prevent operation by unauthorized persons
- Internal metal backseating
 - DN 15 - 150 (½ - 6 in.)
 - Can accept flow in both directions
- Max. working pressure: 25 bar (365 psig)
- Temperature range: -50 °C – 150 °C (-58 °F – 302 °F)
- Design specification according to DIN 3158

Media

Refrigerants

Applicable to HCFC, non flammable HFC, R717 (Ammonia) and R744 (CO₂). Flammable hydrocarbons are not recommended. The valve is only recommended for use in closed circuits.

For further information please contact Danfoss.

New refrigerants

Danfoss products are continually evaluated for use with new refrigerants depending on market requirements.

When a refrigerant is approved for use by Danfoss, it is added to the relevant portfolio, and the R number of the refrigerant (e.g. R513A) will be added to the technical data of the code number. Therefore, products for specific refrigerants are best checked at store.danfoss.com/en/, or by contacting your local Danfoss representative.

Product specification

Material specification

STC 15-25 ANG STR

Figure 1: STC 15-25

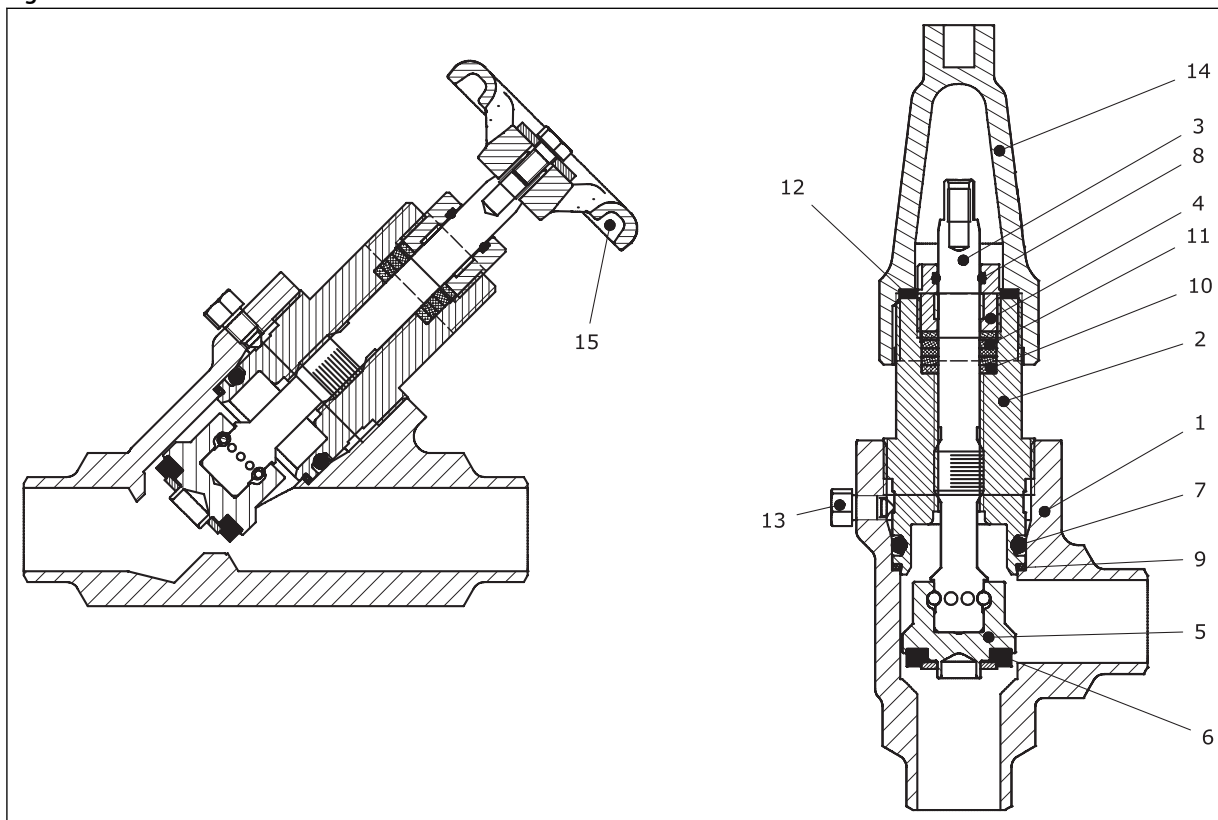


Table 1: STC 15-25

No.	Part	Material	EN	GB/T	ASTM	JIS
1	Housing	Steel	P285QH 10222-4	#20 QT 699		
2	Valve bonnet	Iron	EN-GJS-400- 15 1563	QT400-15 1348		
3	Spindle	Stainless Steel	X8CrNiS18-9 10088		AISI 303 A276	SUS303 G4303
4	Packing gland	Stainless Steel	X8CrNiS18-9 10088		AISI 303 A276	SUS303 G4303
5	Cone	Steel	11SMn30 10087			
6	Cone seal	Teflon(PTFE)				
7	O-ring	Cloroprene(Neoprene)				
8	O-ring	Cloroprene(Neoprene)				
9	Gasket for bonnet	Aluminium	EN AW-1050A 573			
10	Bushing for packing gland	Aluminium	EN AW-1050A 573		AL 6061-T6 B221	
11	Gasket in packing gland	Teflon(PTFE)				
12	Gasket for cap	Nylon(PA 6)				
13	Screw	Steel				
14	Al cap	Aluminium	EN AC-431002-70 1706			
15	Handwheel	Iron	EN-GJS-400- 15 1563	QT450-10 1348		

STC 32-40 ANG STR

Figure 2: STC 32-40

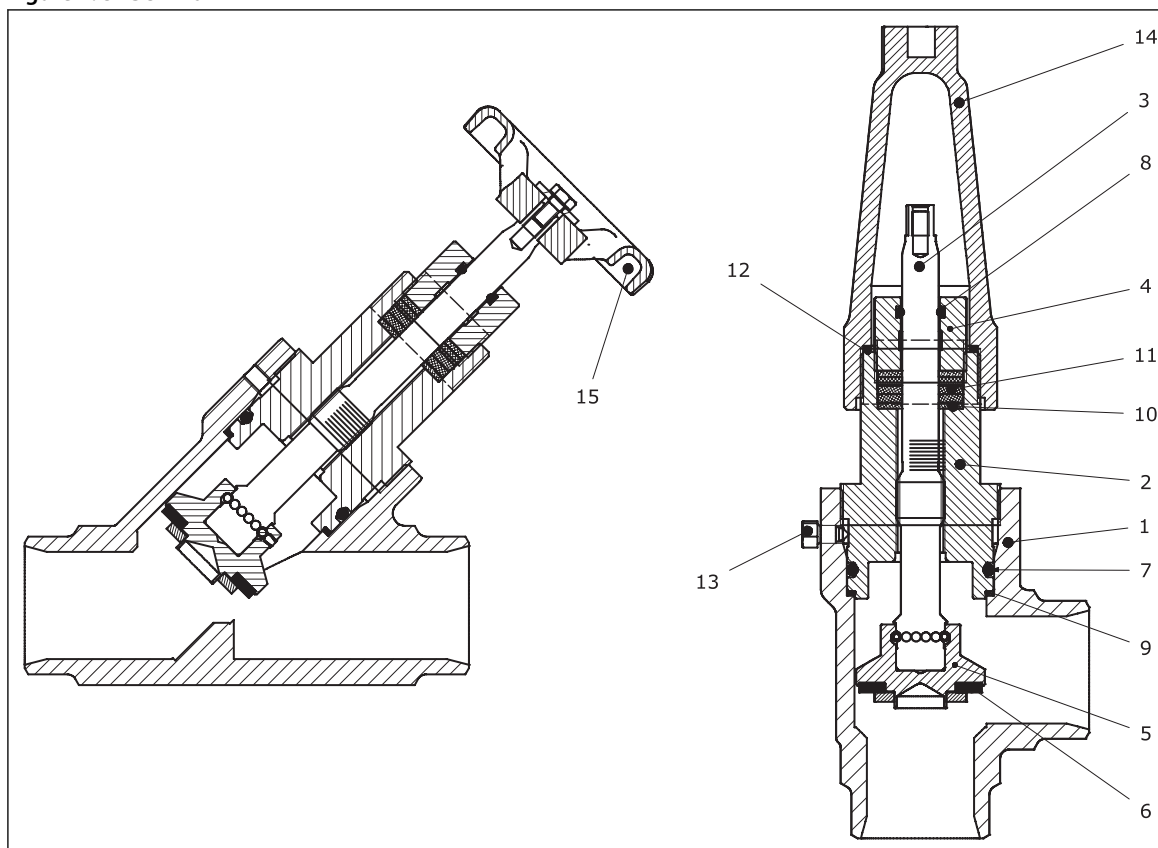


Table 2: STC 32-40

No.	Part	Material	EN	GB/T	ASTM	JIS
1	Housing	Steel	P285QH 10222-4	#20 QT 699		
2	Valve bonnet	Iron	EN-GJS-400- 15 1563	QT400-15 1348		
3	Spindle	Stainless Steel	X8CrNiS18-9 10088		AISI 303 A276	SUS303 G4303
4	Packing gland	Stainless Steel	X8CrNiS18-9 10088		AISI 303 A276	SUS303 G4303
5	Cone	Steel	11SMn30 10087			
6	Cone seal	Teflon(PTFE)				
7	O-ring	Cloroprene(Neoprene)				
8	O-ring	Cloroprene(Neoprene)				
9	Gasket for bonnet	Aluminium	EN AW-1050A 573			
10	Bushing for packing gland	Aluminium	EN AW-1050A 573		AL 6061-T6 B221	
11	Gasket in packing gland	Teflon(PTFE)				
12	Gasket for cap	Nylon(PA 6)				
13	Screw	Steel				
14	Al cap	Aluminium	EN AC-431002-70 1706			
15	Handwheel	Iron	EN-GJS-400- 15 1563	QT450-10 1348		

STC 50-65 ANG STR

Figure 3: STC 50-65

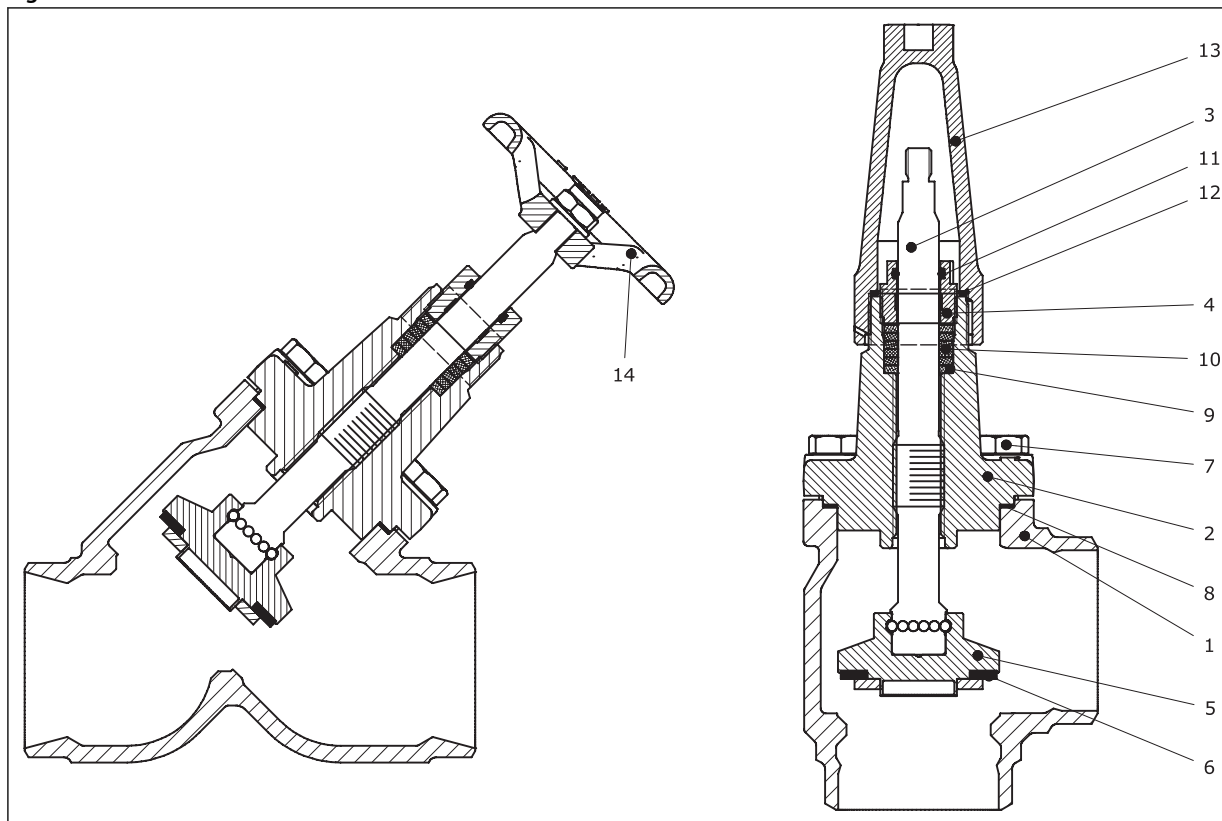


Table 3: STC 50-65

No.	Part	Material	EN	GB/T	ASTM	JIS
1	Housing	Steel			WCB-QT A216	
2	Valve bonnet	Iron	EN-GJS-400- 15 1563	QT400-15 1348		
3	Spindle	Stainless Steel	X8CrNiS18-9 10088		AISI 303/304 A276	SUS303 G4303
4	Packing gland	Stainless Steel	X8CrNiS18-9 10088		AISI 303 A276	SUS303 G4303
5	Cone	Steel	11SMn30 10087			
6	Cone seal	Teflon(PTFE)				
7	Bolts	Steel			10B21 F2282	
8	Flange gasket	Non-asbestos				
9	Bushing for packing gland	Aluminium	EN AW-1050A 573		AL 6061-T6 B221	
10	Gasket in packing gland	Teflon(PTFE)				
11	O ring	Cloroprene(Neoprene)				
12	Gasket for cap	Nylon(PA 6)				
13	Al cap	Aluminium	EN AC-431002-70 1706			
14	Handwheel	Iron	EN-GJS-400- 15 1563	QT450-10 1348		

STC 80-150 ANG STR

Figure 4: STC 80-150

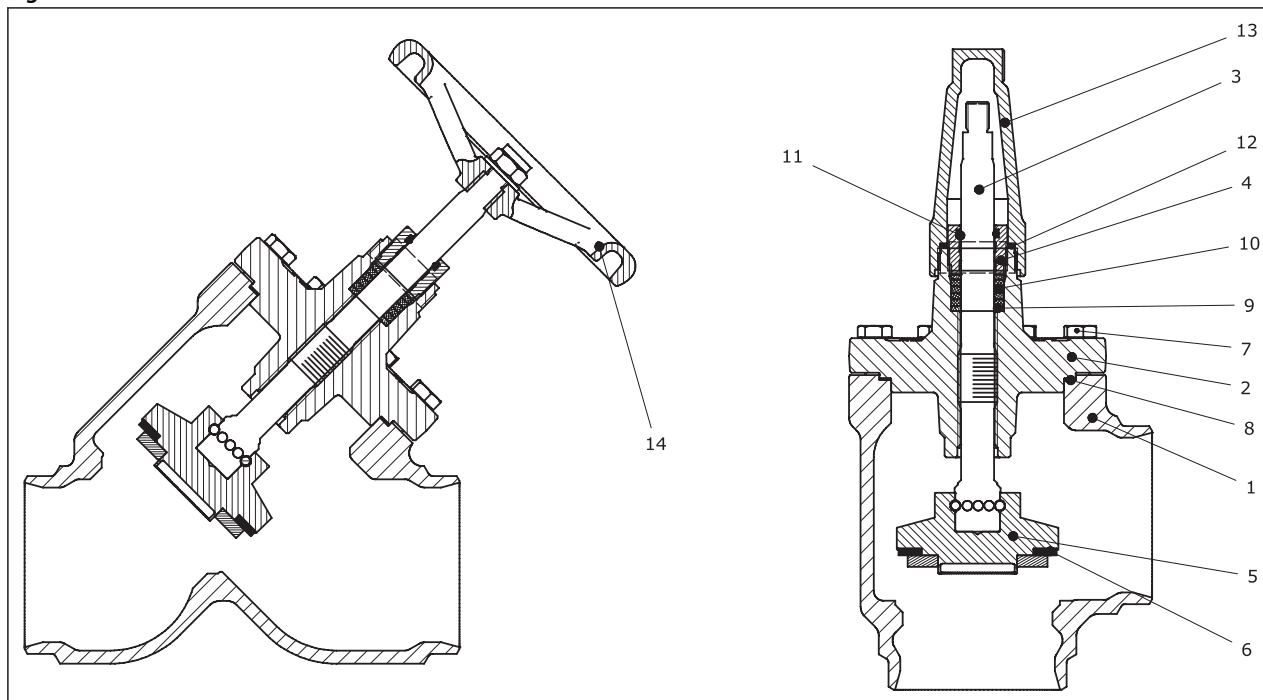


Table 4: STC 80-150

No.	Part	Material	EN	GB/T	ASTM	JIS
1	Housing	Steel			WCB-QT A216	
2	Valve bonnet	Iron	EN-GJS-400- 15 1563	QT400-15 1348		
3	Spindle	Stainless Steel	X5CrNiS18-10 10088		AISI 304 A276	SUS304 G4303
4	Packing gland	Stainless Steel	X8CrNiS18-9 10088		AISI 303 A276	SUS303 G4303
5	Cone	Steel	11SMn30 10087			
6	Cone seal	Teflon(PTFE)				
7	Bolts	Steel			10B21 F2282	
8	Flange gasket	Non-asbestos				
9	Bushing for packing gland	Aluminium	EN AW-1050A 573		AL 6061-T6 B221	
10	Gasket in packing gland	Teflon(PTFE)				
11	O ring	Cloroprene(Neoprene)				
12	Gasket for cap	Nylon(PA 6)				
13	Al cap	Aluminium	EN AC-431002-70 1706			
14	Handwheel	Iron	EN-GJS-400- 15 1563	QT450-10 1348		

Connections

Figure 5: Metric

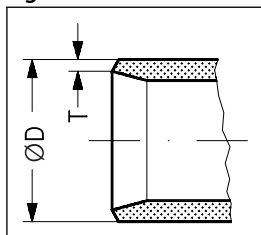


Figure 6: ANSI

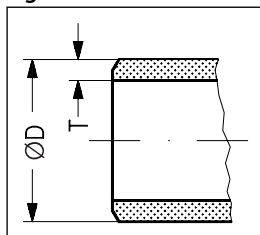


Figure 7: SOC

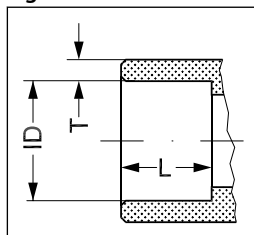


Table 5: Connections

Version	Size		Connections Metric				Connections ANSI				Connections SOC					
			ØD		T		ØD		T		ID		T		L	
	[mm]	[in.]	[mm]	[in.]	[mm]	[in.]	[mm]	[in.]	[mm]	[in.]	[mm]	[in.]	[mm]	[in.]	[mm]	[in.]
Handwheel	15	½	18.1	0.71	2.1	0.079	21.3	0.84	3.7	0.147	21.9	0.862	7.3	0.287	13.25	0.52
Cap	15	½	18.1	0.71	2.1	0.079	21.3	0.84	3.7	0.147						
Handwheel	20	¾	25.1	0.98	2.6	0.098	26.9	1.05	3.9	0.154	27.4	1.078	4.6	0.181	13	0.51
Cap	20	¾	25.1	0.98	2.6	0.098	26.9	1.05	3.9	0.154						
Handwheel	25	1	32	1.26	3	0.118	33.7	1.33	4.5	0.179	34.2	1.346	8.9	0.35	13.25	0.52
Cap	25	1	32	1.26	3	0.118	33.7	1.33	4.5	0.179						
Handwheel	32	1 ¼	38	1.5	3	0.118	42.4	1.67	4.9	0.191	42.9	1.689	4.55	0.179	14.75	0.58
Cap	32	1 ¼	38	1.5	3	0.118	42.4	1.67	4.9	0.191						
Handwheel	40	1 ½	45	1.77	3	0.118	48.3	1.9	5.1	0.2						
Cap	40	1 ½	45	1.77	3	0.118	48.3	1.9	5.1	0.2						
Handwheel	50	2	57	2.24	3.5	0.138	60.3	2.37	3.9	0.154						
Cap	50	2	57	2.24	3.5	0.138	60.3	2.37	3.9	0.154						
Handwheel	65	2 ½	76	2.99	3.5	0.138	73	2.87	5.2	0.203						
Cap	65	2 ½	76	2.99	3.5	0.138	73	2.87	5.2	0.203						
Handwheel	80	3	88.9	3.5	4	0.157	88.9	3.5	5.5	0.216						
Cap	80	3	88.9	3.5	4	0.157	88.9	3.5	5.5	0.216						
Handwheel	100	4	108	4.25	4	0.157	114	4.5	6	0.237						
Cap	100	4	108	4.25	4	0.157	114	4.5	6	0.237						
Handwheel	125	5	133	5.24	4	0.157	141.3	5.56	6.6	0.259						
Cap	125	5	133	5.24	4	0.157	141.3	5.56	6.6	0.259						
Handwheel	150	6	159	6.26	4.5	0.177	168.3	6.63	7.1	0.280						
Cap	150	6	159	6.26	4.5	0.177	168.3	6.63	7.1	0.280						

Dimensions and weight

Angle version

Figure 8: STC 15-40

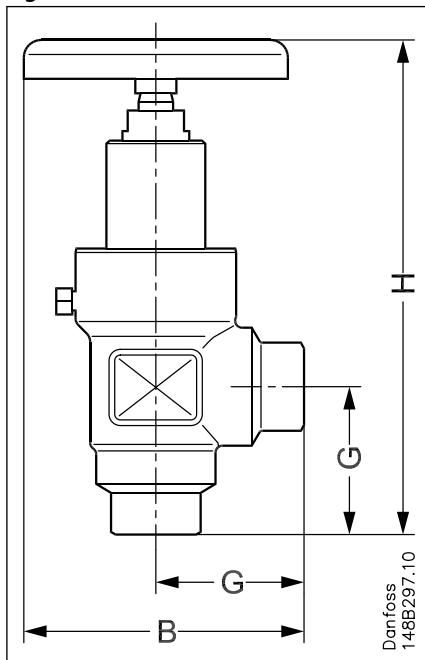


Figure 9: STC 50-150

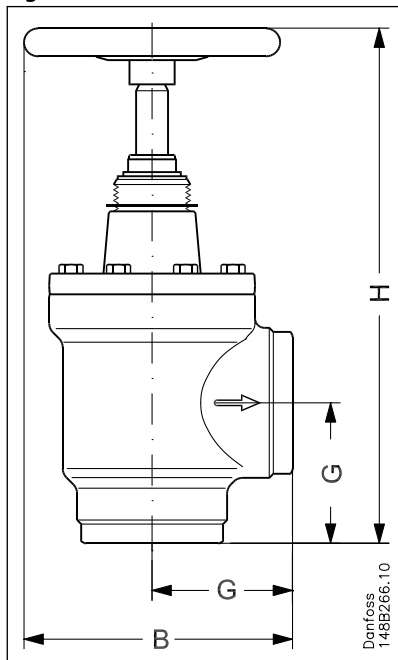


Table 6: Angle version

Version	Size		Angle						Weight	
			H		B		G			
	[mm]	[in.]	[mm]	[in.]	[mm]	[in.]	[mm]	[in.]	[kg]	[lb]
Handwheel	15	1/2	152	5.98	85	3.35	45	1.77	1.5	3.3
Cap	15	1/2	186	7.32	64	2.52	45	1.77	1.5	3.3
Handwheel	20	3/4	152	5.98	85	3.35	45	1.77	1.6	3.5
Cap	20	3/4	186	7.32	64	2.52	45	1.77	1.6	3.5
Handwheel	25	1	152	5.98	85	3.35	45	1.77	1.7	3.7
Cap	25	1	186	7.32	64	2.52	45	1.77	1.7	3.7
Handwheel	32	1 1/4	201	7.91	95	3.74	55	2.17	1.8	4
Cap	32	1 1/4	266	10.47	80	3.15	55	2.17	1.8	4
Handwheel	40	1 1/2	201	7.91	95	3.74	55	2.17	1.9	4
Cap	40	1 1/2	266	10.47	80	3.15	55	2.17	1.9	4.2
Handwheel	50	2	219	8.62	110	4.33	60	2.36	3.2	7.1
Cap	50	2	281	11.06	85	3.35	60	2.36	3.2	7.1
Handwheel	65	2 1/2	243	9.57	120	4.72	70	2.76	4.8	10.6
Cap	65	2 1/2	306	12.05	95	3.74	70	2.76	4.8	10.6
Handwheel	80	3	301	11.85	200	7.87	90	3.54	9.2	20.3
Cap	80	3	351	13.82	155	6.1	90	3.54	9.2	20.3
Handwheel	100	4	328	12.91	250	9.84	106	4.17	14.8	32.6
Cap	100	4	386	15.2	184	7.24	106	4.17	14.8	32.6
Handwheel	125	5	442	17.4	315	12.4	128	5.04	28.1	61.9
Cap	125	5	531	20.91	224	8.82	128	5.04	28.1	61.9
Handwheel	150	6	482	18.98	315	12.4	145	5.71	39.7	87.5
Cap	150	6	566	22.28	255	10.04	145	5.71	39.7	87.5

Straight version

Figure 10: STC 15-40

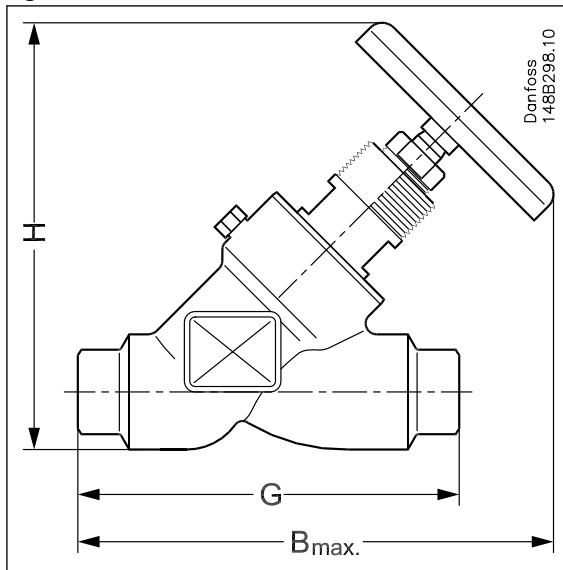


Figure 11: STC 50-150

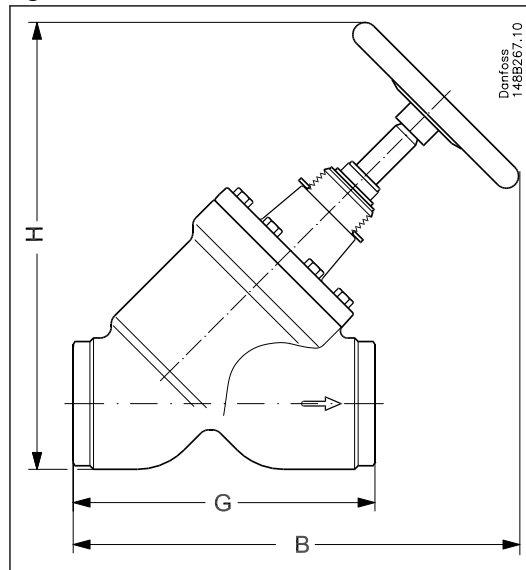


Table 7: Straight version

Version	Size		Straight						Weight	
			H		B		G			
	[mm]	[in.]	[mm]	[in.]	[mm]	[in.]	[mm]	[in.]	[kg]	[lb]
Handwheel	15	½	135	5.31	151	5.94	120	4.72	1.8	4
Cap	15	½	140	5.51	156	6.14	120	4.72	1.8	4
Handwheel	20	¾	135	5.31	151	5.94	120	4.72	2	4.4
Cap	20	¾	140	5.51	156	6.14	120	4.72	2	4.4
Handwheel	25	1	135	5.31	151	5.94	120	4.72	2.1	4.6
Cap	25	1	140	5.51	156	6.14	120	4.72	2.1	4.6
Handwheel	32	1¼	178	7.01	194	7.64	145	5.71	2.5	5.5
Cap	32	1¼	204	8.03	221	8.7	145	5.71	2.5	5.5
Handwheel	40	1 ½	178	7.01	194	7.64	145	5.71	2.6	5.7
Cap	40	1 ½	204	8.03	221	8.7	145	5.71	2.6	5.7
Handwheel	50	2	210	8.27	211	8.31	148	5.83	4.2	9.3
Cap	50	2	232	9.13	233	9.17	148	5.83	4.2	9.3
Handwheel	65	2 ½	235	9.25	235	9.25	176	6.93	6.3	13.9
Cap	65	2 ½	257	10.12	257	10.12	176	6.93	6.3	13.9
Handwheel	80	3	316	12.44	314	12.36	216	8.5	10.4	22.9
Cap	80	3	295	11.61	293	11.54	216	8.5	10.4	22.9
Handwheel	100	4	373	14.69	362	14.25	264	10.39	17.7	39
Cap	100	4	337	13.27	329	12.95	264	10.39	17.7	39
Handwheel	125	5	491	19.33	478	18.82	322	12.68	32.8	72.3
Cap	125	5	452	17.8	440	17.32	322	12.68	32.8	72.3
Handwheel	150	6	539	21.22	515	20.28	370	14.57	60	132.3
Cap	150	6	500	19.69	478	18.82	370	14.57	60	132.3

Ordering

Valves with Metric connections

Figure 12: Angle version

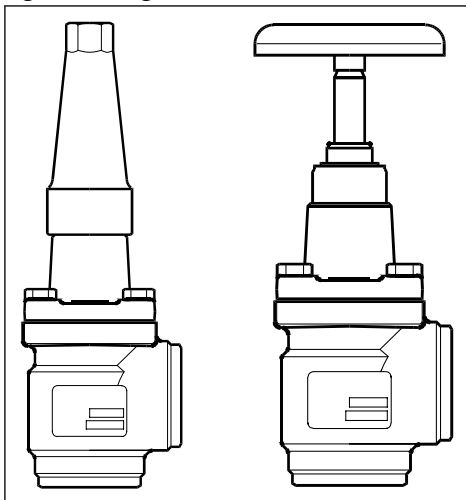


Figure 13: Straight version

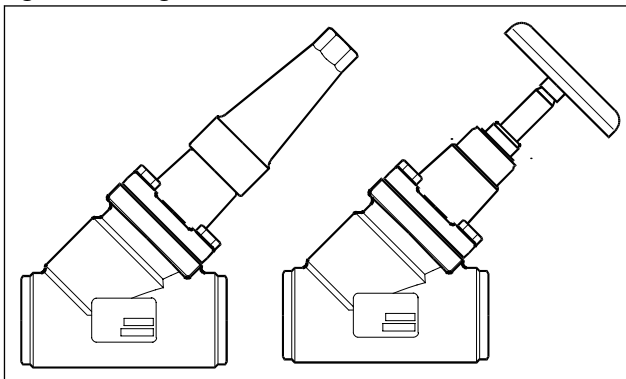


Table 8: Valves with Metric connections

Angle version		Straight version	
Type	Code no.	Type	Code no.
STC 15 M ANG SHUT-OFF VALVE HANDWHEEL	148B4645	STC 15 M STR SHUT-OFF VALVE HANDWHEEL	148B4667
STC 15 M ANG SHUT-OFF VALVE CAP	148B4644	STC 15 M STR SHUT-OFF VALVE CAP	148B4666
STC 20 M ANG SHUT-OFF VALVE HANDWHEEL	148B4647	STC 20 M STR SHUT-OFF VALVE HANDWHEEL	148B4669
STC 20 M ANG SHUT-OFF VALVE CAP	148B4646	STC 20 M STR SHUT-OFF VALVE CAP	148B4668
STC 25 M ANG SHUT-OFF VALVE HANDWHEEL	148B4649	STC 25 M STR SHUT-OFF VALVE HANDWHEEL	148B4671
STC 25 M ANG SHUT-OFF VALVE CAP	148B4648	STC 25 M STR SHUT-OFF VALVE CAP	148B4670
STC 32 M ANG SHUT-OFF VALVE HANDWHEEL	148B4651	STC 32 M STR SHUT-OFF VALVE HANDWHEEL	148B4673
STC 32 M ANG SHUT-OFF VALVE CAP	148B4650	STC 32 M STR SHUT-OFF VALVE CAP	148B4672
STC 40 M ANG SHUT-OFF VALVE HANDWHEEL	148B4653	STC 40 M STR SHUT-OFF VALVE HANDWHEEL	148B4675
STC 40 M ANG SHUT-OFF VALVE CAP	148B4652	STC 40 M STR SHUT-OFF VALVE CAP	148B4674
STC 50 M ANG SHUT-OFF VALVE HANDWHEEL	148B4655	STC 50 M STR SHUT-OFF VALVE HANDWHEEL	148B4677
STC 50 M ANG SHUT-OFF VALVE CAP	148B4654	STC 50 M STR SHUT-OFF VALVE CAP	148B4676
STC 65 M ANG SHUT-OFF VALVE HANDWHEEL	148B4657	STC 65 M STR SHUT-OFF VALVE HANDWHEEL	148B4679
STC 65 M ANG SHUT-OFF VALVE CAP	148B4656	STC 65 M STR SHUT-OFF VALVE CAP	148B4678
STC 80 M ANG SHUT-OFF VALVE HANDWHEEL	148B4659	STC 80 M STR SHUT-OFF VALVE HANDWHEEL	148B4681
STC 80 M ANG SHUT-OFF VALVE CAP	148B4658	STC 80 M STR SHUT-OFF VALVE CAP	148B4680
STC 100 M ANG SHUT-OFF VALVE HANDWHEEL	148B4661	STC 100 M STR SHUT-OFF VALVE HANDWHEEL	148B4683
STC 100 M ANG SHUT-OFF VALVE CAP	148B4660	STC 100 M STR SHUT-OFF VALVE CAP	148B4682
STC 125 M ANG SHUT-OFF VALVE HANDWHEEL	148B4663	STC 125 M STR SHUT-OFF VALVE HANDWHEEL	148B4685
STC 125 M ANG SHUT-OFF VALVE CAP	148B4662	STC 125 M STR SHUT-OFF VALVE CAP	148B4684
STC 150 M ANG SHUT-OFF VALVE HANDWHEEL	148B4665	STC 150 M STR SHUT-OFF VALVE HANDWHEEL	148B4687
STC 150 M ANG SHUT-OFF VALVE CAP	148B4664	STC 150 M STR SHUT-OFF VALVE CAP	148B4686

Valves with ANSI connections

Figure 14: Angle version

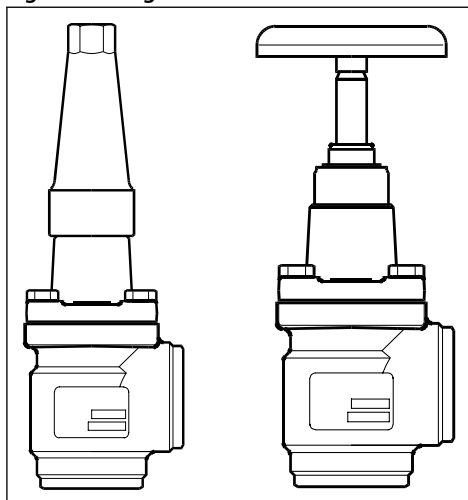


Figure 15: Straight version

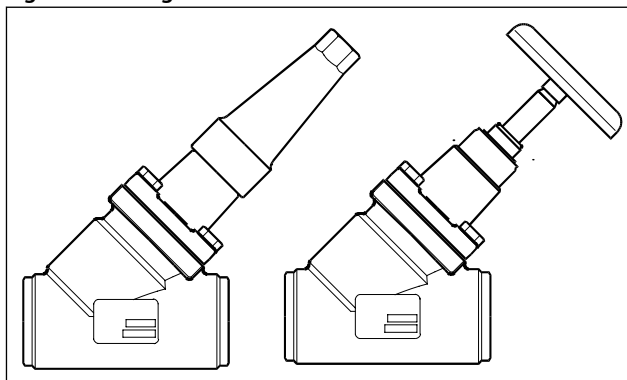


Table 9: Valves with ANSI connections

Angle version		Straight version	
Type	Code no.	Type	Code no.
STC 15 A ANG SHUT-OFF VALVE CAP	148B4600	STC 15 A STR SHUT-OFF VALVE CAP	148B4622
STC 15 A ANG SHUT-OFF VALVE HANDWHEEL	148B4601	STC 15 A STR SHUT-OFF VALVE HANDWHEEL	148B4623
STC 20 A ANG SHUT-OFF VALVE CAP	148B4602	STC 20 A STR SHUT-OFF VALVE CAP	148B4624
STC 20 A ANG SHUT-OFF VALVE HANDWHEEL	148B4603	STC 20 A STR SHUT-OFF VALVE HANDWHEEL	148B4625
STC 25 A ANG SHUT-OFF VALVE CAP	148B4604	STC 25 A STR SHUT-OFF VALVE CAP	148B4626
STC 25 A ANG SHUT-OFF VALVE HANDWHEEL	148B4605	STC 25 A STR SHUT-OFF VALVE HANDWHEEL	148B4627
STC 32 A ANG SHUT-OFF VALVE CAP	148B4606	STC 32 A STR SHUT-OFF VALVE CAP	148B4628
STC 32 A ANG SHUT-OFF VALVE HANDWHEEL	148B4607	STC 32 A STR SHUT-OFF VALVE HANDWHEEL	148B4629
STC 40 A ANG SHUT-OFF VALVE CAP	148B4608	STC 40 A STR SHUT-OFF VALVE CAP	148B4630
STC 40 A ANG SHUT-OFF VALVE HANDWHEEL	148B4609	STC 40 A STR SHUT-OFF VALVE HANDWHEEL	148B4631
STC 50 A ANG SHUT-OFF VALVE CAP	148B4610	STC 50 A STR SHUT-OFF VALVE CAP	148B4632
STC 50 A ANG SHUT-OFF VALVE HANDWHEEL	148B4611	STC 50 A STR SHUT-OFF VALVE HANDWHEEL	148B4633
STC 65 A ANG SHUT-OFF VALVE CAP	148B4612	STC 65 A STR SHUT-OFF VALVE CAP	148B4634
STC 65 A ANG SHUT-OFF VALVE HANDWHEEL	148B4613	STC 65 A STR SHUT-OFF VALVE HANDWHEEL	148B4635
STC 80 A ANG SHUT-OFF VALVE CAP	148B4614	STC 80 A STR SHUT-OFF VALVE CAP	148B4636
STC 80 A ANG SHUT-OFF VALVE HANDWHEEL	148B4615	STC 80 A STR SHUT-OFF VALVE HANDWHEEL	148B4637
STC 100 A ANG SHUT-OFF VALVE CAP	148B4616	STC 100 A STR SHUT-OFF VALVE CAP	148B4638
STC 100 A ANG SHUT-OFF VALVE HANDWHEEL	148B4617	STC 100 A STR SHUT-OFF VALVE HANDWHEEL	148B4639
STC 125 A ANG SHUT-OFF VALVE CAP	148B4618	STC 125 A STR SHUT-OFF VALVE CAP	148B4640
STC 125 A ANG SHUT-OFF VALVE HANDWHEEL	148B4619	STC 125 A STR SHUT-OFF VALVE HANDWHEEL	148B4641
STC 150 A ANG SHUT-OFF VALVE CAP	148B4620	STC 150 A STR SHUT-OFF VALVE CAP	148B4642
STC 150 A ANG SHUT-OFF VALVE HANDWHEEL	148B4621	STC 150 A STR SHUT-OFF VALVE HANDWHEEL	148B4643

Valves with SOC connections

Table 10: Valves with SOC connections

Angle version		Straight version	
Type	Code no.	Type	Code no.
STC 15 SOC ANG SHUT-OFF VALVE HANDWHEEL	148B4773	STC 15 SOC STR SHUT-OFF VALVE HANDWHEEL	148B4777
STC 20 SOC ANG SHUT-OFF VALVE HANDWHEEL	148B4774	STC 20 SOC STR SHUT-OFF VALVE HANDWHEEL	148B4778
STC 25 SOC ANG SHUT-OFF VALVE HANDWHEEL	148B4775	STC 25 SOC STR SHUT-OFF VALVE HANDWHEEL	148B4779
STC 32 SOC ANG SHUT-OFF VALVE HANDWHEEL	148B4776	STC 32 SOC STR SHUT-OFF VALVE HANDWHEEL	148B4780

Certificates, declarations, and approvals

The list contains all certificates, declarations, and approvals for this product type. Individual code number may have some or all of these approvals, and certain local approvals may not appear on the list.

Some approvals may change over time. You can check the most current status at danfoss.com or contact your local Danfoss representative if you have any questions.

Table 11: Valid Approvals

File name	Document type	Document topic	Approval authority
UA.TR-089.0993-17	Pressure - Safety Certificate	PED	LLC CDC EURO TYSK
UA.089.D.00188-17	UA Declaration	PED	LLC CDC EURO TYSK
TS271067J-2023	Manufacturing Permission	TSG	AQSIQ

Online support

Danfoss offers a wide range of support along with our products, including digital product information, software, mobile apps, and expert guidance. See the possibilities below.

The Danfoss Product Store



The Danfoss Product Store is your one-stop shop for everything product related—no matter where you are in the world or what area of the cooling industry you work in. Get quick access to essential information like product specs, code numbers, technical documentation, certifications, accessories, and more.

Start browsing at store.danfoss.com.

Find technical documentation



Find the technical documentation you need to get your project up and running. Get direct access to our official collection of data sheets, certificates and declarations, manuals and guides, 3D models and drawings, case stories, brochures, and much more.

Start searching now at www.danfoss.com/en/service-and-support/documentation.

Danfoss Learning



Danfoss Learning is a free online learning platform. It features courses and materials specifically designed to help engineers, installers, service technicians, and wholesalers better understand the products, applications, industry topics, and trends that will help you do your job better.

Create your Danfoss Learning account for free at www.danfoss.com/en/service-and-support/learning.

Get local information and support



Local Danfoss websites are the main sources for help and information about our company and products. Find product availability, get the latest regional news, or connect with a nearby expert—all in your own language.

Find your local Danfoss website here: www.danfoss.com/en/choose-region.

Spare Parts



Get access to the Danfoss spare parts and service kit catalog right from your smartphone. The app contains a wide range of components for air conditioning and refrigeration applications, such as valves, strainers, pressure switches, and sensors.

Download the Spare Parts app for free at www.danfoss.com/en/service-and-support/downloads.

Coolselector®2 - find the best components for you HVAC/R system



Coolselector®2 makes it easy for engineers, consultants, and designers to find and order the best components for refrigeration and air conditioning systems. Run calculations based on your operating conditions and then choose the best setup for your system design.

Download Coolselector®2 for free at coolselector.danfoss.com.

Any information, including, but not limited to information on selection of product, its application or use, product design, weight, dimensions, capacity or any other technical data in product manuals, catalogues descriptions, advertisements, etc. and whether made available in writing, orally, electronically, online or via download, shall be considered informative, and is only binding if and to the extent, explicit reference is made in a quotation or order confirmation. Danfoss cannot accept any responsibility for possible errors in catalogues, brochures, videos and other material. Danfoss reserves the right to alter its products without notice. This also applies to products ordered but not delivered provided that such alterations can be made without changes to form, fit or function of the product. All trademarks in this material are property of Danfoss A/S or Danfoss group companies. Danfoss and the Danfoss logo are trademarks of Danfoss A/S. All rights reserved.